

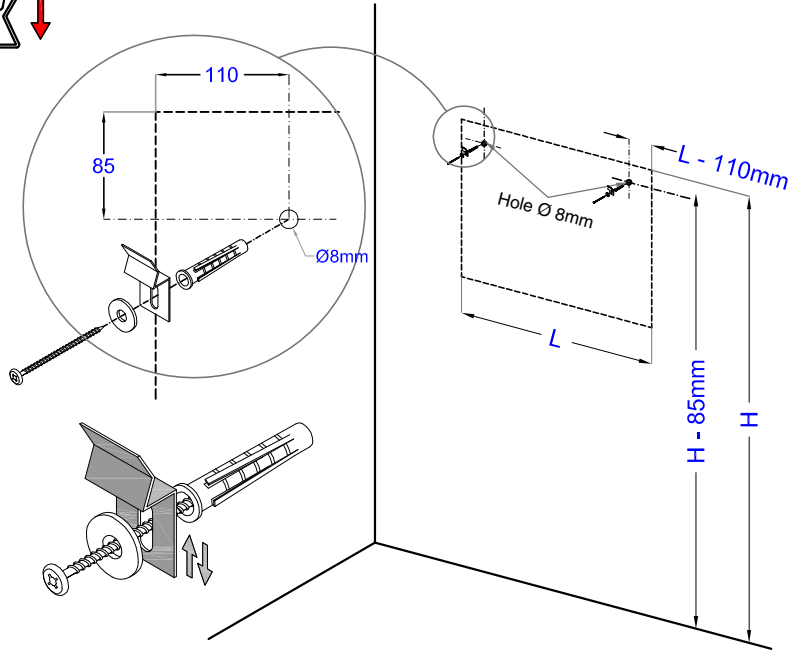
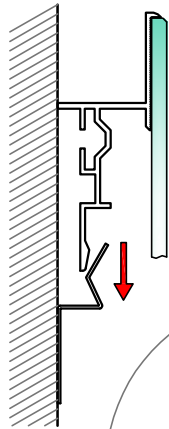
RECOMMENDATIONS FOR A CORRECT USE OF THE MIRROR

CLEANING:

TO CLEAN THE MIRROR AND ITS PROFILES IT IS RECOMMENDED
TO USE A SOFT CLOTH WITH SUITABLE, NON-AGGRESSIVE DETERGENTS

IMPORTANT:

ELECTRICAL CONNECTIONS SHOULD BE MADE ONLY BY AUTHORIZED
PERSONNEL



Horizontal adjustment

